

aquatica®

Function : Form : Fashion



*Gamma 515*  
Freestanding Outdoor Shower  
Installation & Care Manual  
INTERNATIONAL

# Gamma 515

## Freestanding Outdoor Shower

### STANDARD SPECIFICATIONS

Recommended operational pressure.....	1-5 bar
Maximum test pressure.....	16 bar
Maximum hot water temperature.....	80°C
Recommended temperature.....	50-60°C
Pressure difference between hot and cold water.....	max. 1,5 bar

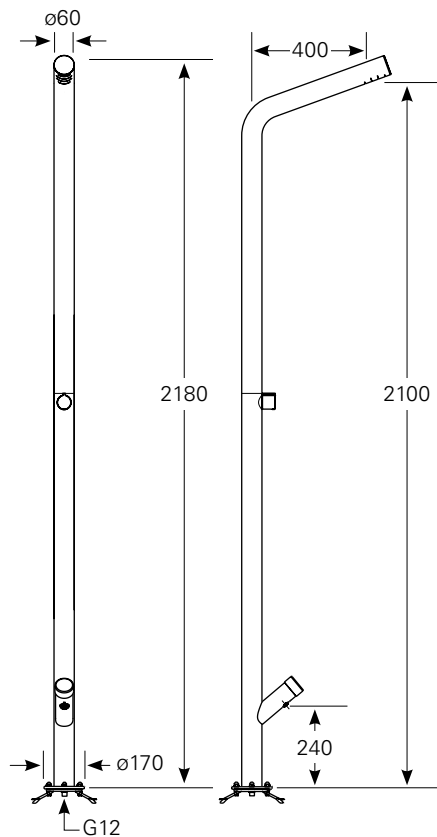
We suggest to install water filters at the beginning of the installation.

### WARNING :

- If the above mentioned conditions (see points 1,4,5 and 6) are not observed, the product may not correctly work or not work at all.
- If during installation, before setting the product on the sanitary fittings, faults due to the special finishing are evident you may require the replacement of the tap.

### IMPORTANT NOTE:

- Installation to be performed by qualified personnel
- Before connecting to mains, bleed the pipes to avoid damage.



# Gamma 515

Freestanding Outdoor Shower

aquatica®

Function : Form : Fashion

## INSTALLATION SEQUENCE



1

Place the base **A** in order to align the mixer to the final position **B**.

2

**DO NOT UNSCREW**

**MAX**

Tile

Cement

G1/2 Mixed Water Inlet

Ensure that there are the white caps.

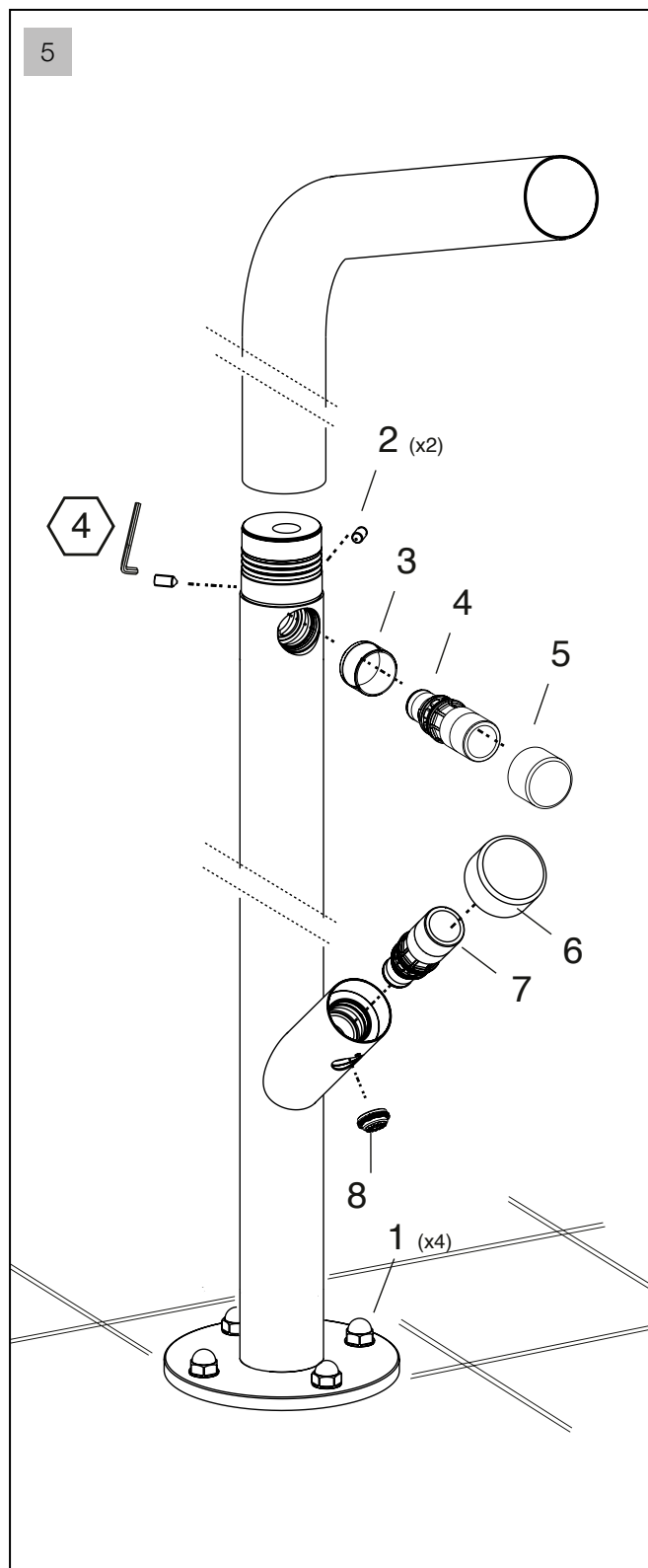
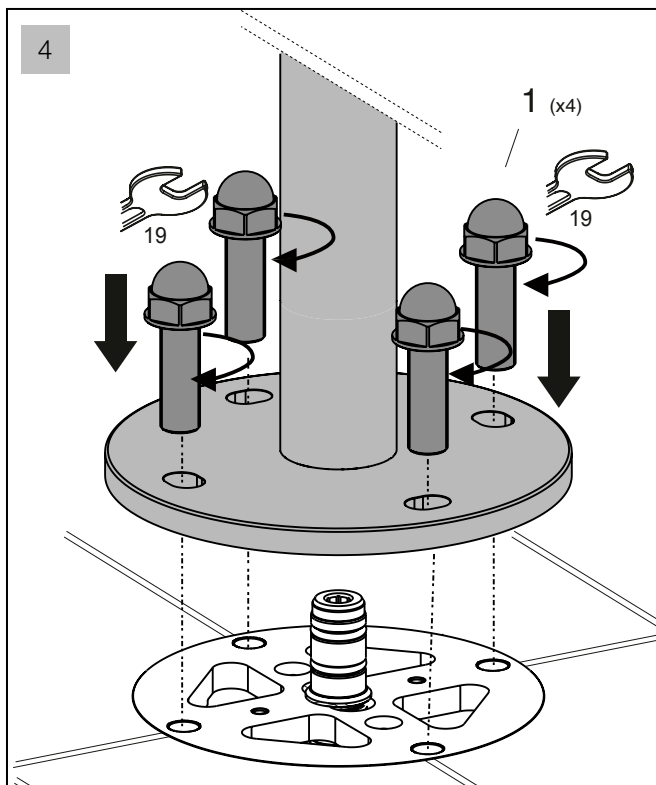
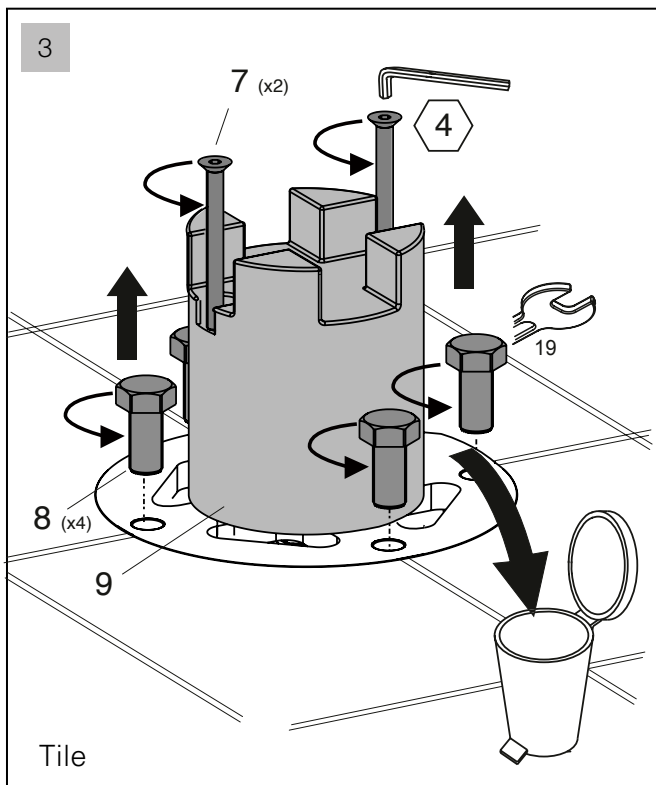
aquatica®

Function : Form : Fashion

# Gamma 515

## Freestanding Outdoor Shower

### INSTALLATION SEQUENCE



# Gamma 515

## Freestanding Outdoor Shower

aquatica®

Function : Form : Fashion

### CLEANING INSTRUCTIONS



**For correct cleaning of this product use only water and neutral soap, rinse and dry with a soft cloth.**

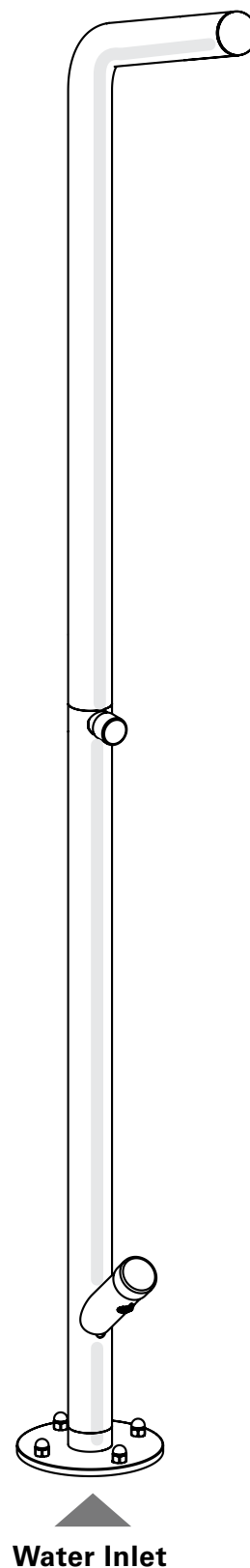
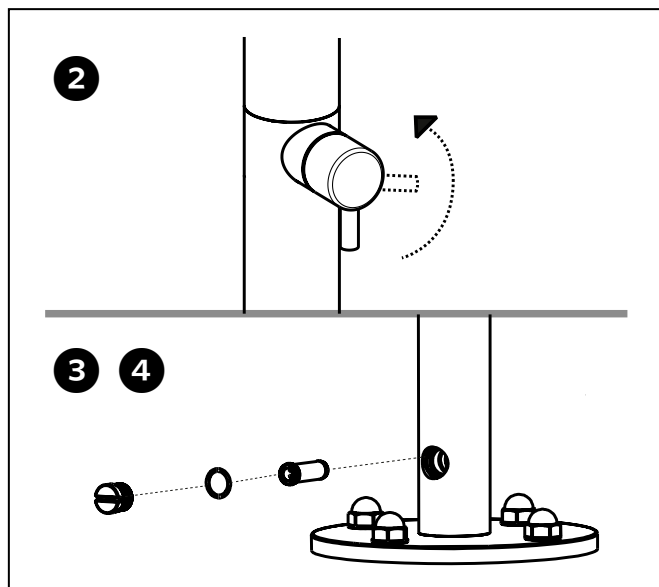
**Don't use** alcohol, solvents, detergents containing corrosive or acid substances (hydrochloric, formic, acetic and phosphoric acid), abrasive sponges and plugs with metallic thread.



#### CAUTION:

In winter it is recommended to close the system and empty the excess water following the procedure below :

- 1 Close the system
- 2 Open the control handle (*see below*)
- 3 Unscrew the plugs at the base (*see below*)
- 4 To reactivate proceed in reverse order (*see below*)



aquatica®

Function : Form : Fashion

# aquatica®

Function : Form : Fashion



CE

Aquatica Plumbing Europe LTD  
Dzirnava iela 73-2, Riga, Latvia  
13  
EN 14516  
CL1  
CA-DA